

# Quartz Part Numbering Guide

Surface Mount

ADXSM Series

<b>Package Type</b>	ADXSM-351 ADXSM-364 ADXSM-365	pg9 pg10 pg11	ADXSM-463 ADXSM-481 ADXSM-571	pg12 pg13 pg14	ADXSM-572 ADX49SM ADX49SSM	pg15 pg16 pg16	ADX49SMP ADX49SMPI	pg17 pg17
<b>Frequency Tolerance @ 25°C</b>	±100ppm ±50ppm ±45ppm	A B C	±40ppm ±35ppm ±30ppm	D E F	±25ppm ±20ppm ±15ppm	G H I	±10ppm ±5ppm	J K
<b>Frequency Stability Over Temperature</b>	±100 ppm ±50 ppm ±45 ppm ±40 ppm	P Q R S	±35 ppm ±30 ppm ±25 ppm ±20 ppm	T U V W	±15 ppm ±10 ppm ±7.5 ppm ±5 ppm	X Y YY Z	±4 ppm ±3 ppm	ZZ ZY
<b>Operating Temperature Range</b>	0°C to +70°C -10°C to +60°C -20°C to +70°C -40°C to +75°C	1 2 3 4	-40°C to +85°C -40°C to +90°C 0°C to +55°C -40°C to +125°C	5 6 7 8	0°C to +50°C -10°C to +50°C -10°C to +70°C -30°C to +75°C	9 10 11 12	-30°C to +80°C -35°C to +80°C	13 14
<b>Operating Mode</b>	Fundamental 3rd Overtone	F 3	5th Overtone 7th Overtone	5 7	9th Overtone	9		
<b>Load Capacitance</b>	6 pF 6 10 pF 10 12 pF 12		15 pF 15 16 pF 16 18 pF 18		20 pF 20 22 pF 22 30 pF 30		32 pF 32 50 pF 50 Series S	
<b>Options</b>	Bulk Blank		Insulator Tab	I	Tape & Reel	T		
<b>Frequency</b>	MHz	M	KHz	K				

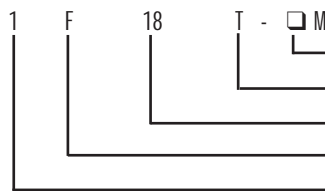
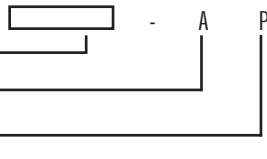
## EXAMPLE

PACKAGE TYPE

FREQUENCY TOLERANCE @ 25°C

FREQUENCY STABILITY

OVER TEMPERATURE



FREQUENCY

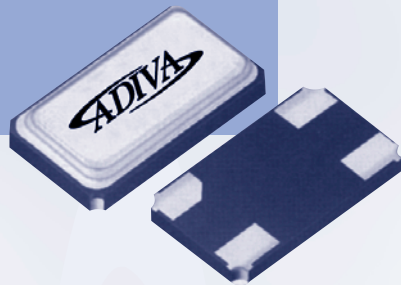
OPTIONS

LOAD CAPACITANCE

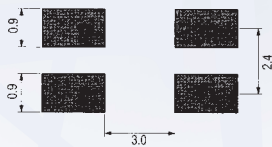
OPERATING MODE

OPERATING TEMPERATURE RANGE

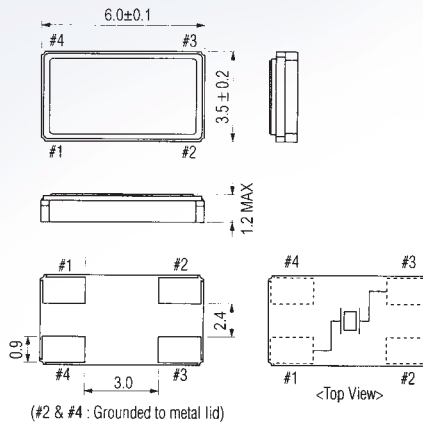
## ADXSM-463



### SOLDERING PATTERN



### UNIT DIMENSION (unit: mm)



### ELECTRICAL SPECIFICATIONS

Package Type	ADXSM-463
Frequency Range	12.000 ~ 40.000 MHz
Operating Temperature Range	-10 ~ +60°C (STD)
Frequency Tolerance	±10 ppm, ±15 ppm, ±20 ppm, ±30 ppm, ±50 ppm
Frequency Stability vs. Temperature Range	±10 ppm, ±20 ppm, ±30 ppm, ±50 ppm, ±100 ppm
Load Capacitance	Series, 16 pF, 20 pF, 30 pF
Shunt Capacitance	7.0 pF max.
Drive Level	0.01 ~ 1000 μW

### EQUIVALENT SERIES RESISTANCE (E.S.R.)

Frequency (MHz)	Vibration Code	E.S.R.
12.0 ~ 40.0	Fundamental	50 Ω